



BUILDING CODE COMPLIANCE OFFICE (BCCO)
PRODUCT CONTROL DIVISION

MIAMI-DADE COUNTY, FLORIDA
METRO-DADE FLAGLER BUILDING
140 WEST FLAGLER STREET, SUITE 1603
MIAMI, FLORIDA 33130-1563
(305) 375-2901 FAX (305) 375-2908

NOTICE OF ACCEPTANCE (NOA)

Velux America Inc.,
1418 Evans Pond Road
Greenwood SC 29649-8725

SCOPE: This NOA is being issued under the applicable rules and regulations governing the use of construction materials. The documentation submitted has been reviewed by Miami-Dade County Product Control Division and accepted by the Board of Rules and Appeals (BORA) to be used in Miami Dade County and other areas where allowed by the Authority Having Jurisdiction (AHJ).

This NOA shall not be valid after the expiration date stated below. The Miami-Dade County Product Control Division (In Miami Dade County) and/or the AHJ (in areas other than Miami Dade County) reserve the right to have this product or material tested for quality assurance purposes. If this product or material fails to perform in the accepted manner, the manufacturer will incur the expense of such testing and the AHJ may immediately revoke, modify, or suspend the use of such product or material within their jurisdiction. BORA reserves the right to revoke this acceptance, if it is determined by Miami-Dade County Product Control Division that this product or material fails to meet the requirements of the applicable building code.

This product is approved as described herein, and has been designed to comply with the Florida Building Code including the High Velocity Hurricane Zone.

DESCRIPTION: Velux Model FCM 4646 Fixed Skylight.

APPROVAL DOCUMENT: Drawing No. VEL0001, titled "Series FCM 4646 Curb Mounted Fixed Skylight", sheets 1 through 3 of 3, prepared by PTC Engineering Inc, dated 11/12/04 with last revision on 12/20/04 bearing the Miami-Dade County Product Control Approval stamp with the Notice of Acceptance number and approval date by the Miami-Dade County Product Control Division.

MISSILE IMPACT RATING: Large & Small Missile Impact

LABELING: Each unit shall bear a permanent label with the manufacturer's name or logo, city, state and the following statement: "Miami-Dade County Product Control Approved or MDCPCA", unless otherwise noted herein and the insulated glass shall be properly marked by the manufacturers of Sentry Glass Plus Interlayer.

RENEWAL of this NOA shall not be considered after a renewal application has been filed and there has been no change in the applicable building code negatively affecting the performance of this product.

TERMINATION of this NOA will occur after the expiration date or if there has been a revision or change in the materials, use, and/or manufacture of the product or process. Misuse of this NOA as an endorsement of any product, for sales, advertising or any other purposes shall automatically terminate this NOA. Failure to comply with any section of this NOA shall be cause for termination and removal of NOA.

ADVERTISEMENT: The NOA number preceded by the words Miami-Dade County, Florida, and followed by the expiration date may be displayed in advertising literature. If any portion of the NOA is displayed, then it shall be done in its entirety.

INSPECTION: A copy of this entire NOA shall be provided to the user by the manufacturer or its distributors and shall be available for inspection at the job site at the request of the Building Official.

This NOA consists of this page, evidence page and approval document mentioned above
The submitted documentation was reviewed by **Candido F. Font, P.E.**

NOA No. 04-0805.01
Expiration Date: November 10, 2010
Approval Date: November 10, 2005
Page 1

NOTICE OF ACCEPTANCE: EVIDENCE PAGE

A. DRAWINGS

1. Drawing prepared by PTC Engineering, Inc., titled "Series FCM 4646 Curb Mounted Fixed Skylight", drawing No. VEL0001, dated 11/12/04, with last revision on 12/20/04, sheet 1 through 3 of 2, signed and sealed by E. S. Nielsen PE.

B. TEST REPORTS

1. Test report of Large Missile Impact Test per TAS 201, Cyclic Wind Pressure Test per TAS 203 and Uniform Static Air Pressure Test per TAS 202 on "FCM 4646 with 0099 Glazing", prepared by Architectural Testing Inc, Report No 01-50828.01, dated 06/18/04, signed and sealed by S. M. Urich, PE.
2. Test report of Standard Specifications for Dense Elastomeric Compression Seal Gasket, Setting Blocks and Spacers per ASTM C864 on "FCM Gasket (Black)" prepared by Architectural Testing Inc, Report No. 56580.01-106-18, dated 09/22/05 signed and sealed by J. A. Reed PE.

C. CALCULATIONS

1. Anchor calculations, dated 10/25/04, pages 3 through 5, prepared by Product Technology Corporation signed and sealed by E. S. Nielsen, PE.

D. QUALITY ASSURANCE

1. Building Code Compliance Office.

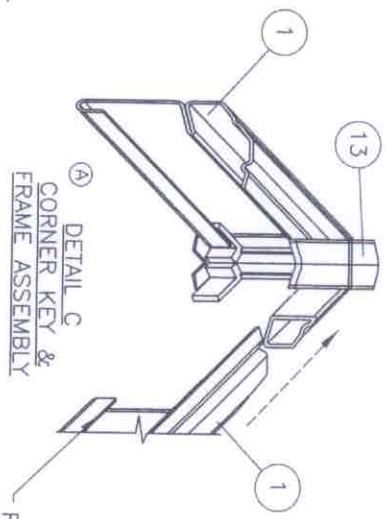
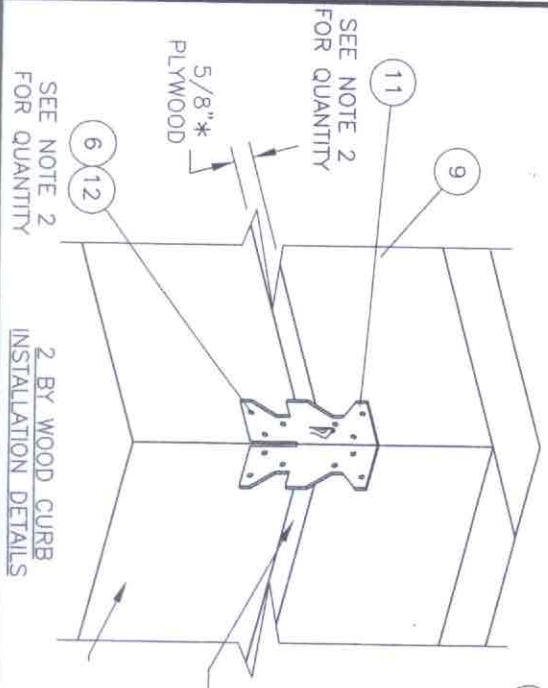
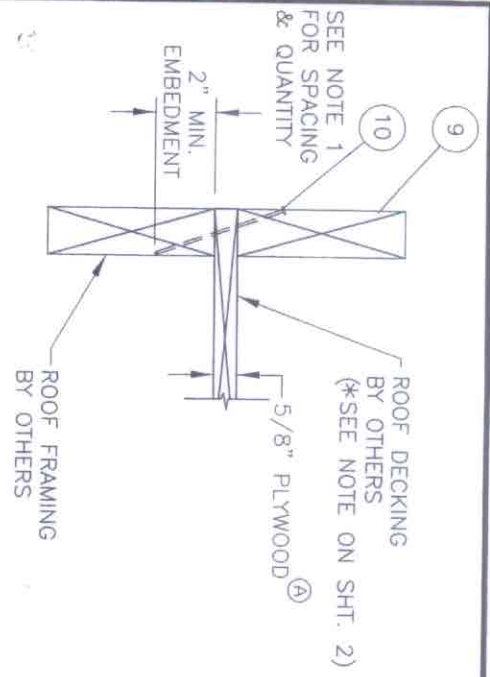
E. STATEMENTS

1. Letter of Test compliance and No financial interest issued by Product Technology Corporation, on 11/14/04, signed and sealed by E. S. Nielsen, PE.

Candido F, Font, P. E.
Senior Product Control Examiner
NOA No. 04-0805.01
Expiration Date: November 10, 2010
Approval Date: November 10, 2005

BILL OF MATERIALS

NO.	PART NO.	DESCRIPTION	VENDOR
1	302061	OUTER FRAME ROLL FORMED ALUMINUM	VELUX
2	303051	INNER FRAME VULCANIZED EPDM GASKET	VELUX
3	303004	PVC SETTING BLOCK	VELUX
4	303002	DOW 1199 SILICONE SEALANT	DOW CORNING
5	PN 421021	T-NAIL 0.085" DIA. X 1/2" LONG	
6	306056	#8 PANHEAD SCREW WITH 1 1/8" MIN. EMBEDMENT	
7	307070	(A) 3/4" INSUL. GLASS; 1/8" TEMP., 3/8" DESICCANT FILLED AIR SPACE, 3/32" H.S. GLASS, 0.090" SENTRY GLASS PLUS INTERLAYER, 3/32" H.S. GLASS	
8	302025	STAINLESS STEEL GLAZING SPACER	
9		TWO BY WOOD CURB, G > / = 0.50	
10		12D GALVANIZED NAIL	
11		SIMPSON A35 FRAMING ANCHOR	SIMPSON STRONG TIE
12		8D X 1-1/2 GALVANIZED NAIL	
13		CORNER KEY EXTRUDED ASA	VELUX
14		(A) CONCRETE CURB (2000 PSI MINIMUM)	
15		(A) 3/16" POWER TAPPER TYPE CONCRETE ANCHOR	RAWL



FRAME SECTION REMOVED FROM CORNER KEY FOR CLARITY

- NOTES:
- 1) SPACING & QUANTITY FOR ITEM #10 12D NAILS FOR ALL SIDES AS FOLLOWS:
5" FROM CORNERS MAX. & 13-1/2" O.C. MAX.
 - 2) ITEM #11 IS ATTACHED @ EACH CORNER WITH (12) ITEM #6 OR #12, (3) INTO EACH MEMBER @ THE CORNER. WITH 1-1/2" MIN. EMBEDMENT.

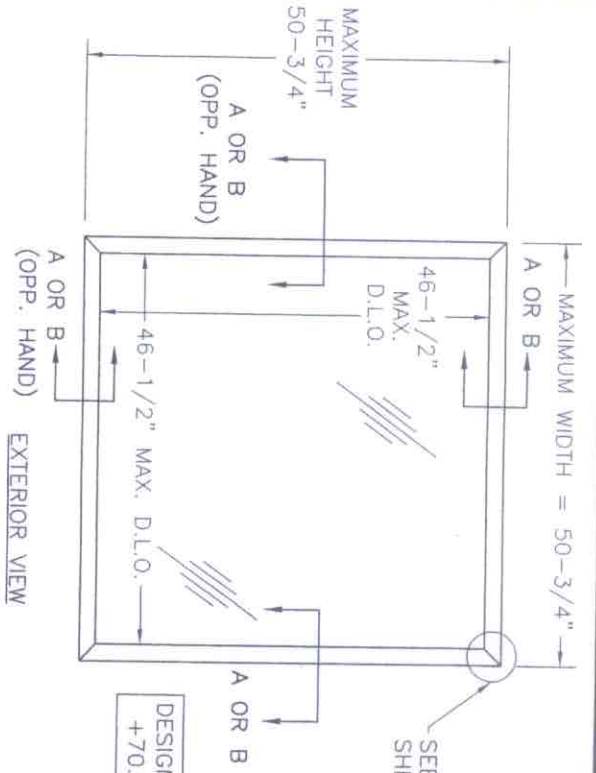
NO.	REVISION	DATE	BY
A	Connections Per Detail Label	12/29/04	AKL
SM			

12/29/04
Erik S. Nielsen
Product Technology Corporation
1150 Landings Ave., Suite B
Orlando, Florida 32709
Phone 407/282-6331 Fax 407/282-6335

VELUX-AMERICA, INC.
1418 EVANS POND ROAD, GREENWOOD, SC 29648-5001
TEL: 800-955-4646 FAX: 800-955-4646
CURE CONSTRUCTION & BILL OF MATERIALS

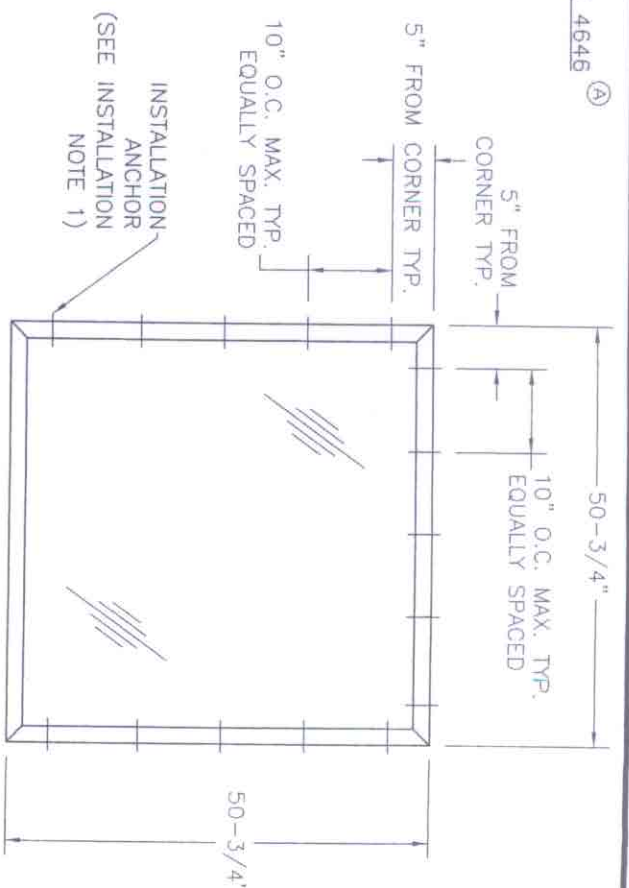
PREPARED BY: PTC
Product Technology Corporation
Phone 407/282-6331 Fax 407/282-6335

DATE: 11/12/04
SCALE: N.T.S.
SHEET: 3 OF 3



MODEL SHOWN FMC 4646 (A)

DESIGN PRESSURE RATING
+70.0 OSF/-70.0 PSF



GENERAL NOTES:

- 1) THE PRODUCT SHOWN HEREIN IS DESIGNED & MANUFACTURED TO COMPLY WITH THE HVHZ OF THE FLORIDA BUILDING CODE.
- 2) WOOD FRAMING TO BE DESIGNED & ANCHORED TO PROPERLY TRANSFER ALL LOADS TO STRUCTURE. FRAMING IS RESPONSIBILITY OF ARCHITECT OR ENGINEER OF RECORD.
- 3) PRODUCTS ARE APPROVED FOR USE WHERE LARGE MISSILE IMPACT RESISTANCE IS REQUIRED. IMPACT PROTECTIVE SYSTEM IS NOT REQUIRED.

INSTALLATION NOTES:

- 1) FOR ATTACHMENT TO WOOD CURBING, USE #8 WOOD SCREWS OF SUFFICIENT LENGTH TO ACHIEVE MINIMUM EMBEDMENT OF 1 1/8" INTO WOOD FRAMING. CONCRETE CURBING, USE 3/16" DIAMETER POWER TAPPER CONCRETE SCREW ANCHOR OF SUFFICIENT LENGTH TO ACHIEVE A MINIMUM EMBEDMENT OF 1 1/4" INTO CONCRETE CURB.

TABLE OF CONTENTS	
SHEET	SHEET DESCRIPTION
1	EXTERIOR VIEW & ANCHOR LOCATIONS
2	GLAZING DETAILS, SECTIONS & COMPONENTS
3	CURB CONSTRUCTION & B.O.M.

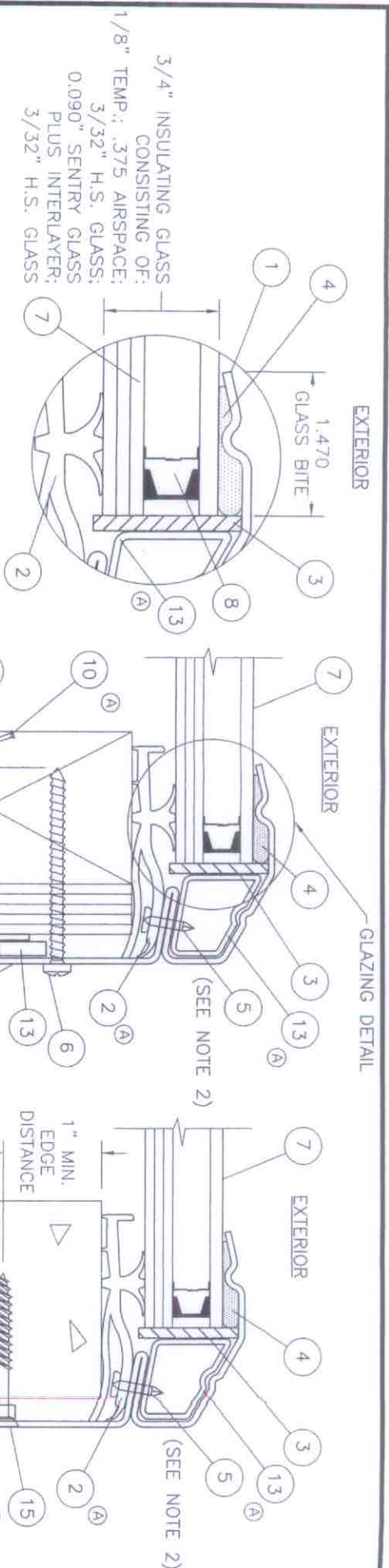
REV	REVISION	DATE	BY
A	Correction Per Code Letter 12/09/04	12/20/04 DR	
STM			

12/23/04
 Eric S. Nielsen,
 Florida P. E. No. 41323
 Product Technology Corporation
 1150 Louisiana Ave., Suite 6
 Winter Park, Florida 32789
 FRP: Certification of Authorization NO. B581

VELUX-AMERICA, INC.
 1418 EVANS POND ROAD, GREENWOOD, SC 29648-5001
 TITLE *SERIES FCM 4646 CURB MOUNTED FIXED SKYLIGHT™
 EXTERIOR VIEW & ANCHOR LOCATIONS

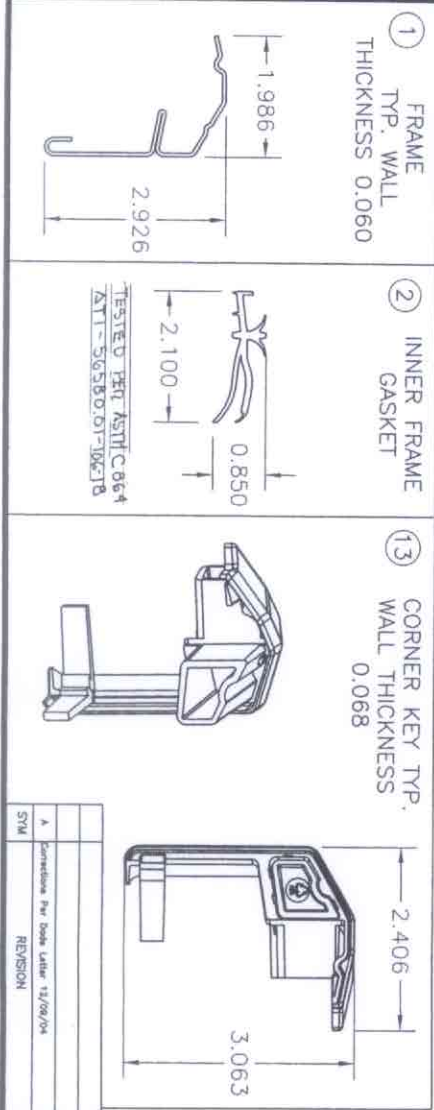
Product Technology Corporation
PTE
 Phone 407.822.5334 Fax 407.822.5335

REV: BB DATE: 11/12/04
 SCALE: N.T.S. DWG. NO: VEL0001
 SHEET: 1 OF 3



NOTES:

- 1) SPACING FOR ITEM #5, THE NAIL SECURING THE INNER FRAME GASKET TO THE ALUMINUM OUTER FRAME IS AS FOLLOWS:
- 2) T-NAILS AT EACH CORNER AND (2) 4 1/2" FROM EACH CORNER.
- 3) FRAME CONSTRUCTION: THE FRAME IS CONSTRUCTED OF 0.060" THICK ROLL FORMED ALUMINUM. THE CORNERS ARE MITERED, KEYPED, STAKED & SEALED.



* 4" MIN. DISTANCE FROM END OF ALUM. FRAME TO ROOF FINISH FOR BUR & SHINGLE. IF INSULATION &/OR TILE IS REQUIRED ADD INSULATION THICKNESS & TILE HEIGHT TO 4" DISTANCE.
 ALL ROOFING DETAILS SHALL COMPLY WITH CHAPTER 34 OF FLORIDA BUILDING CODE.

SYN	REVISION	DATE	BY
A	Construction Per Code Letter 12/09/04	12/29/04	DM

Eric S. Nielsen
 12/23/04
 Florida P. E. No. 41223
 Product Technology Corporation
 1150 Louisiana Ave., Suite 6
 Winter Park, Florida 32789
 FPE Certification # Administration No. 8881

1418 EVANS POND ROAD, GREENWOOD, SC 29648-5001
 TITLE SERIES FCM 4546 CURB MOUNTED FIXED SKYLIGHT™
 GLAZING DETAIL, SECTIONS & COMPONENTS

RECORDED BY: [Signature]
 DATE: 11/12/04
 SCALE: N.T.S.
 SHEET: 2 OF 3

VELUX-AMERICA, INC.